

# 1144 Castor Bush Kit

## Installation Instructions

Standard / 2.5 Degree / 3.5 Degree

Offset Radius Arm Bushes

Toyota Landcruiser 78, 79, 80, 105 Series

Nissan Patrol GQ, GU



**READ AND UNDERSTAND ALL INSTRUCTIONS AND WARNINGS PRIOR TO INSTALLATION OF SYSTEM AND OPERATION OF VEHICLE.**

### SAFETY WARNING

Ironman Suspension recommends this system be installed by a professional technician. In addition to these instructions, professional knowledge of disassembly/reassembly procedures and post installation checks must be known and carried out.

### PARTS LIST

Part #	Description	Qty
1144UT	Polyurethane Half Bush	8
	Steel Tube	4

### KIT INSTALLATION

1. Mark original Radius arm bushes and arm with a line indicating a vertical line 90 deg. to the level ground.

2. Safely raise the vehicle and support with jack stands for safety.

- **Ensure all new components received are correct before removal of existing parts.**

### COMPONENT REMOVAL

3. Support differential with floor jack to prevent damage to brake hoses from over stretching.

4. Carefully unbolt front radius arm and remove from vehicle. It may be necessary to remove track rod and stabilizer bar in Nissan vehicles.

### IRONMAN KIT INSTALLATION

5. Using a hydraulic workshop press, remove original bushes from arm.

**Always wear eye protection when working with hand tools and machinery.**

6. Carefully align Ironman bushes to desired offset (see image)

7. Do not grease the outside of the Ironman Bush, however, do grease the inside in which the tube is fitted.

8. Press or tap in Ironman Bushes carefully making sure the positioning of the bolt holes is correct. The centre to centre measurement is (Toyota 185mm) (Nissan 240mm) (see image)

9. Refit arm to vehicle, but do not fully tighten at this stage, fit bolts finger tight only.

10. When both arms completed, carefully lower the vehicle to ground, Bounce the vehicle to settle the suspension.

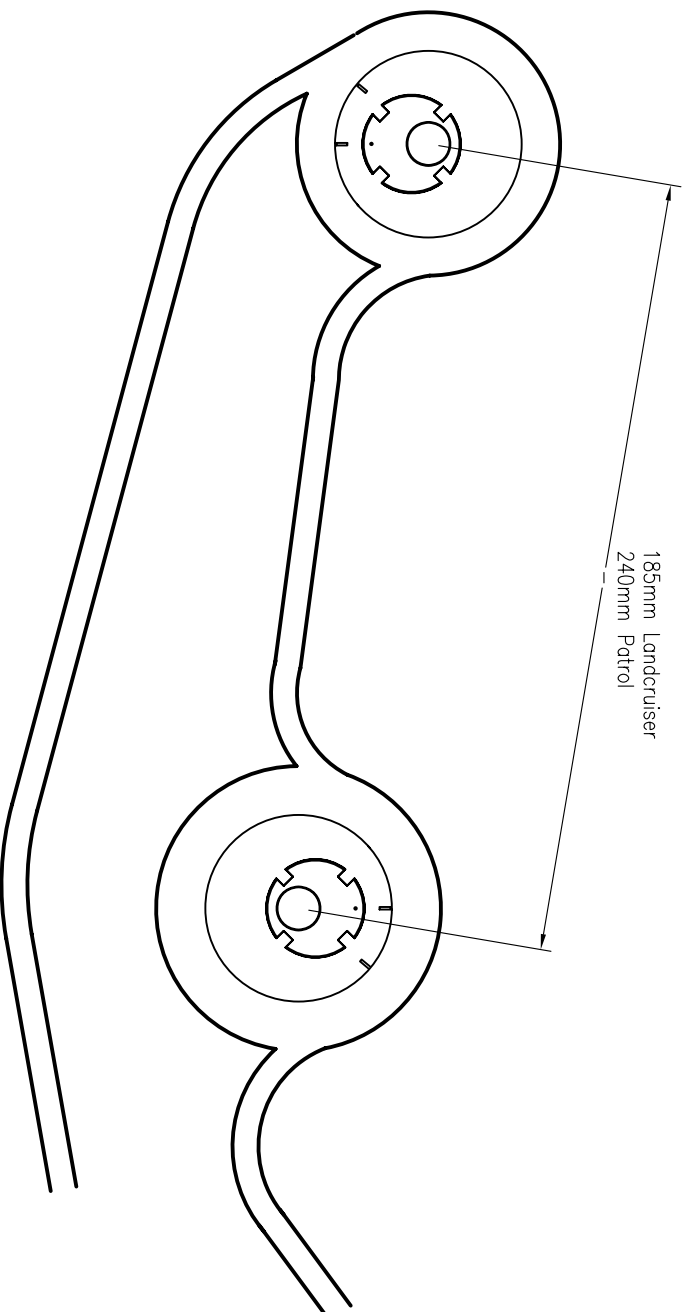
11. Use thread locking agent on threads, and torque all bolt mounts to manufacturer's specifications.

12. Check all fasteners for proper torque.

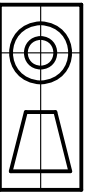
13. The vehicle will require a front end alignment.

14. Check all fasteners after initial drive and again in 500km.

# STANDARD FITMENT NO OFFSET



This setting is used to replace radius arm bushes with no change to castor angle.



IRONMAN SUSPENSION

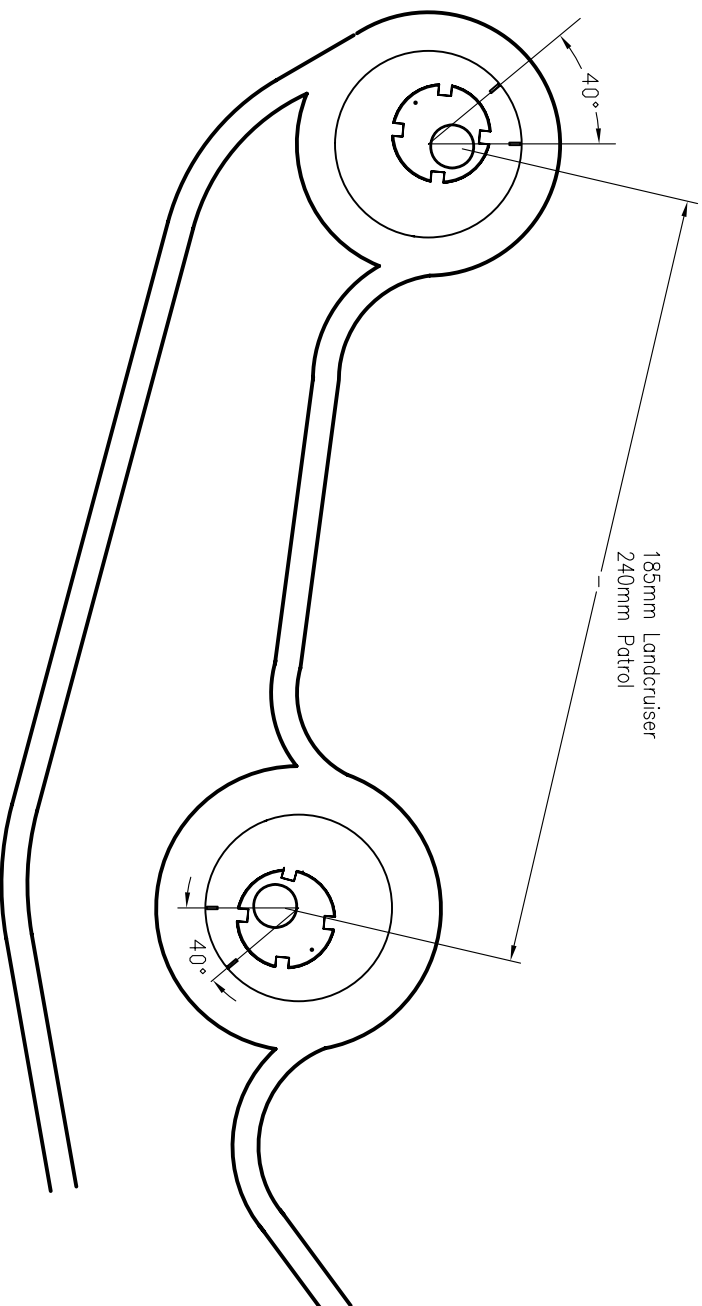
TITLE  
1144UT BUSH

DATE  
DRAWING NO.

SCALE NTS

SHEET  
SIZE

# RAISED VEHICLE 1"–3" 2.5 DEGREE OFFSET



This setting provides the required alignment correction to return  
caster angle to OE setting after 1"–3" vehicle lift is applied.

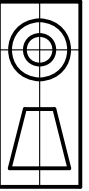
IRONMAN SUSPENSION

TITLE  
1144UT BUSH

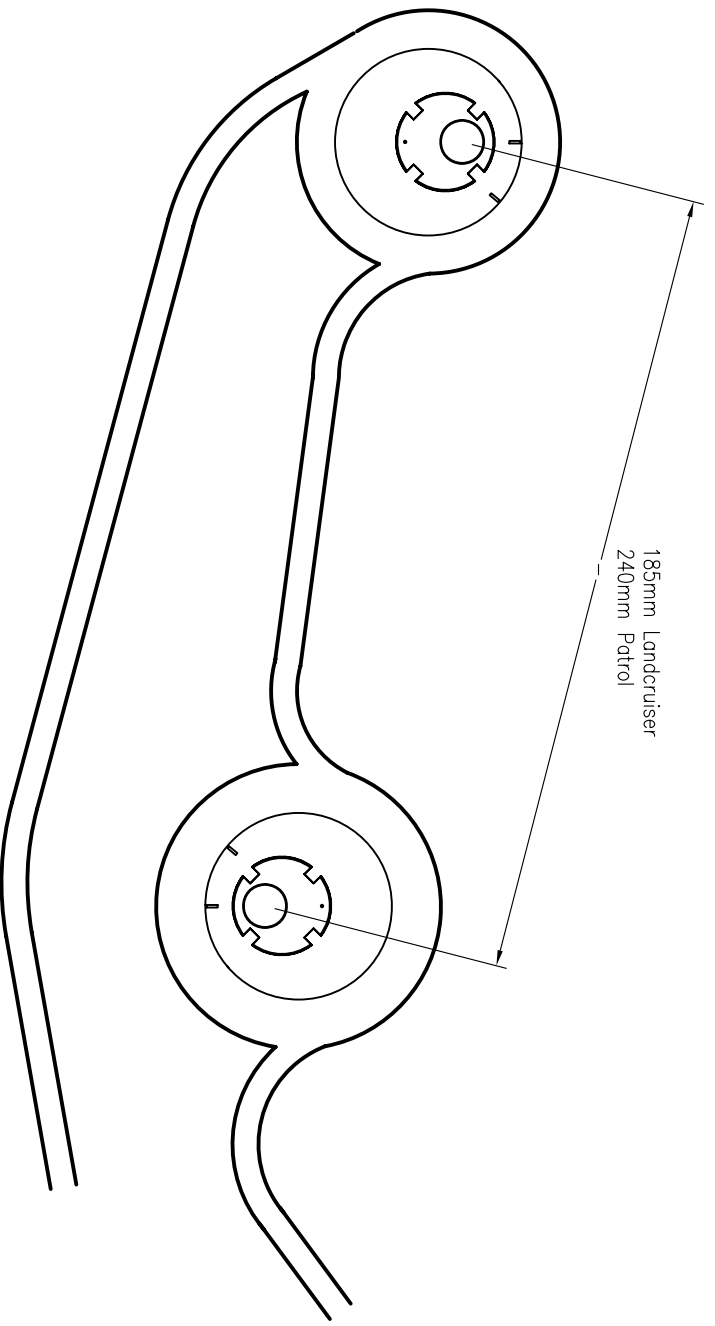
DATE  
DRAWING NO.

SCALE NTS

SHEET  
SIZE



RAISED VEHICLE 3"-4"  
3.5 DEGREE OFFSET



IRONMAN SUSPENSION

TITLE  
1144UT BUSH

DATE  
DRAWING NO.

SCALE NTS

SHEET  
SIZE

